


# Liberda Antriebstechnik



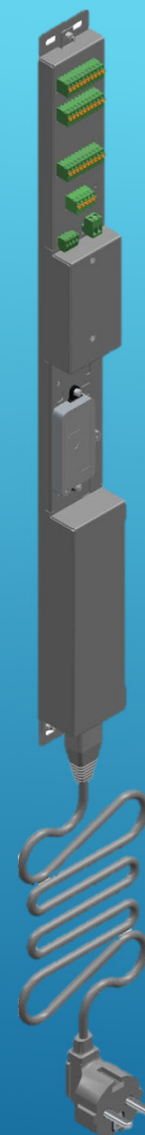
# Productline – Classic Line

- Motor can be located in the upper or vertical profile
  - Vertical and horizontal toothed belt possible
  - Electronic located in the vertical profile or control cabinet
- 
- 3 sizes for different sash weights
    - Size 1 – up to 350 kg
    - Size 2 – up to 700 kg
    - Size 3 – up to 1200 kg
  - Mechanics tested for a 30-year service life



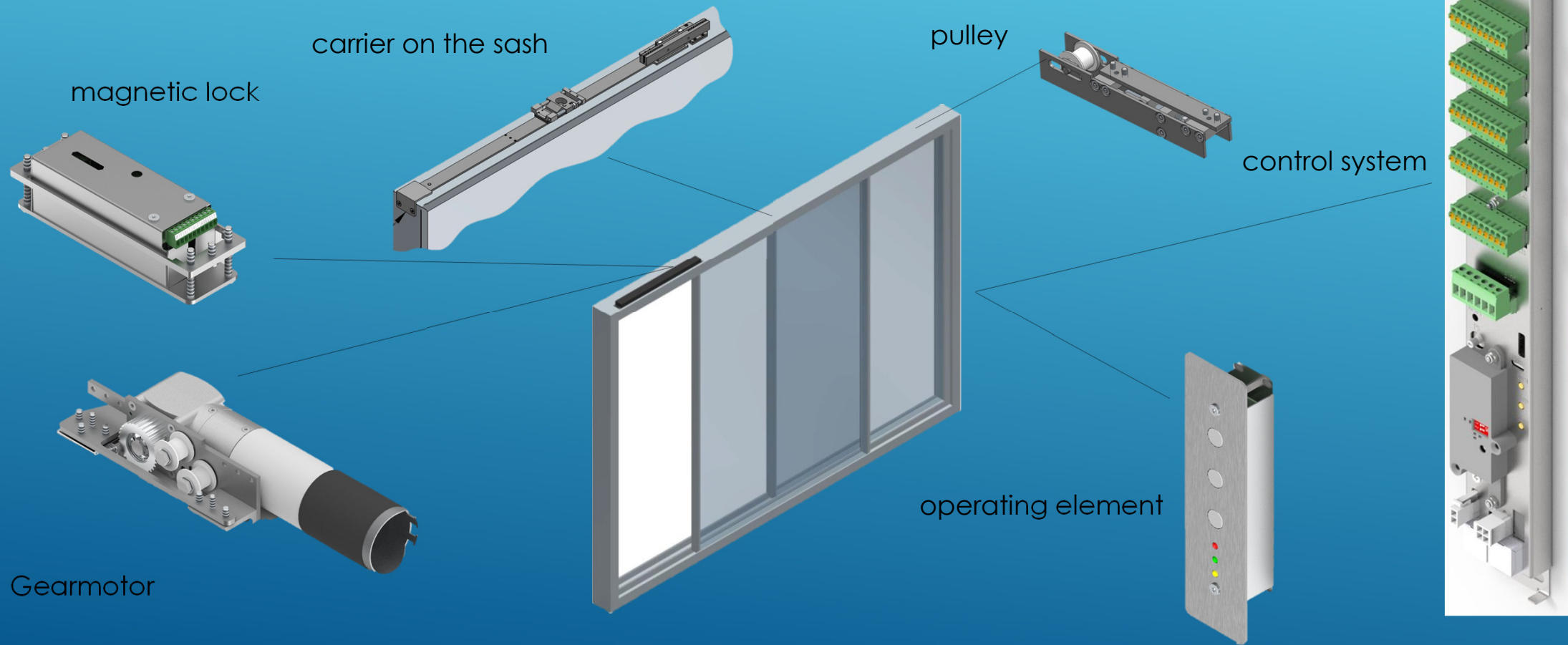
# Productline – Classic Line

- We can cover a wide range of applications and installation cases with our system
- We customize our solution to your profile
- We manufacture our control system ourselves
- We develop new solutions on customer request





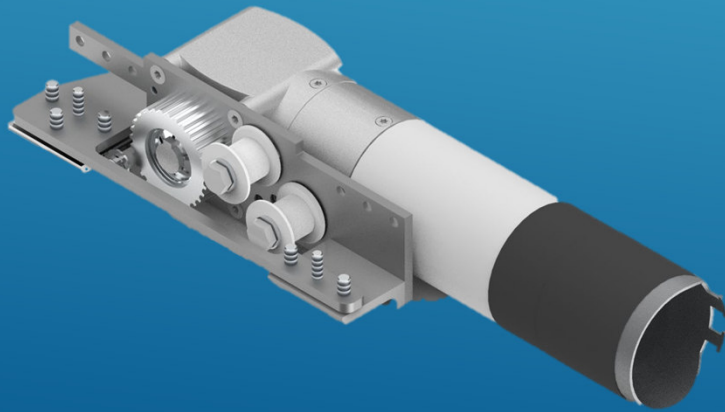
# Overview of the system



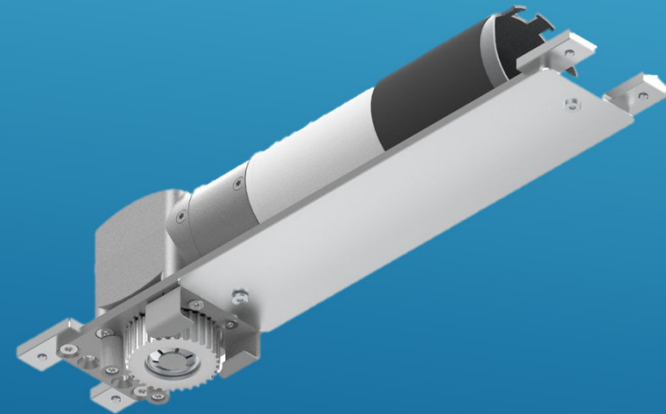
# Classic Line – Space consumption

- The space required for the motor in the upper profile depends on the version

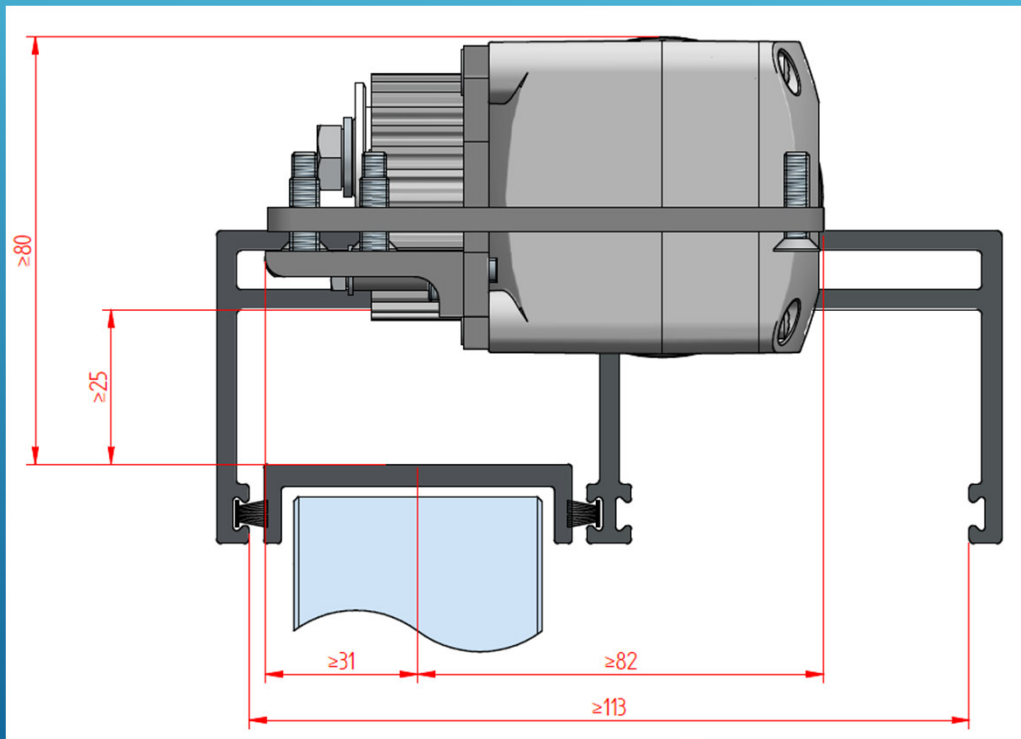
Horizontal tooth belt



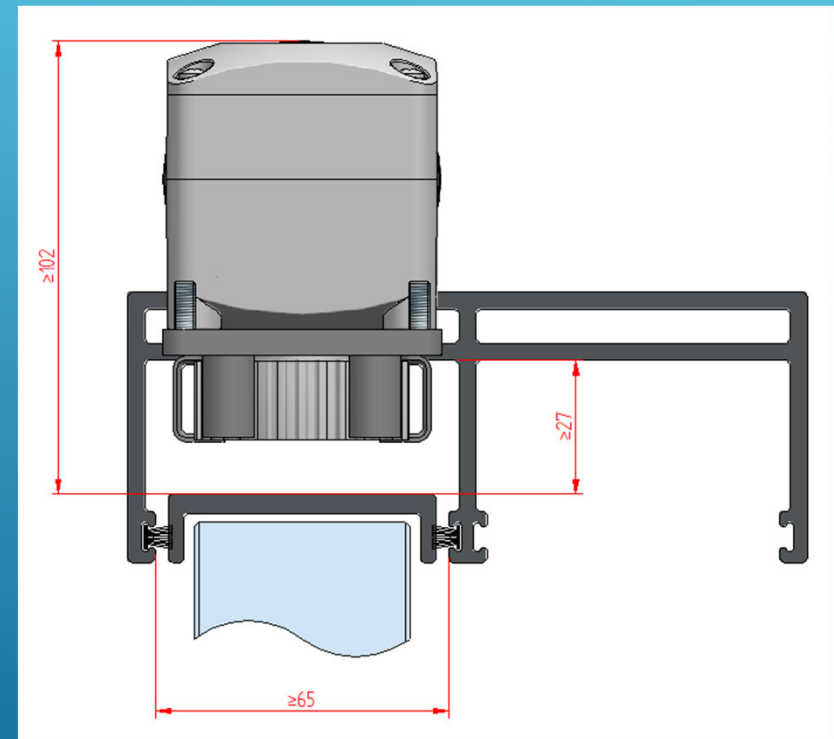
vertical tooth belt



# Classic Line – Space consumption



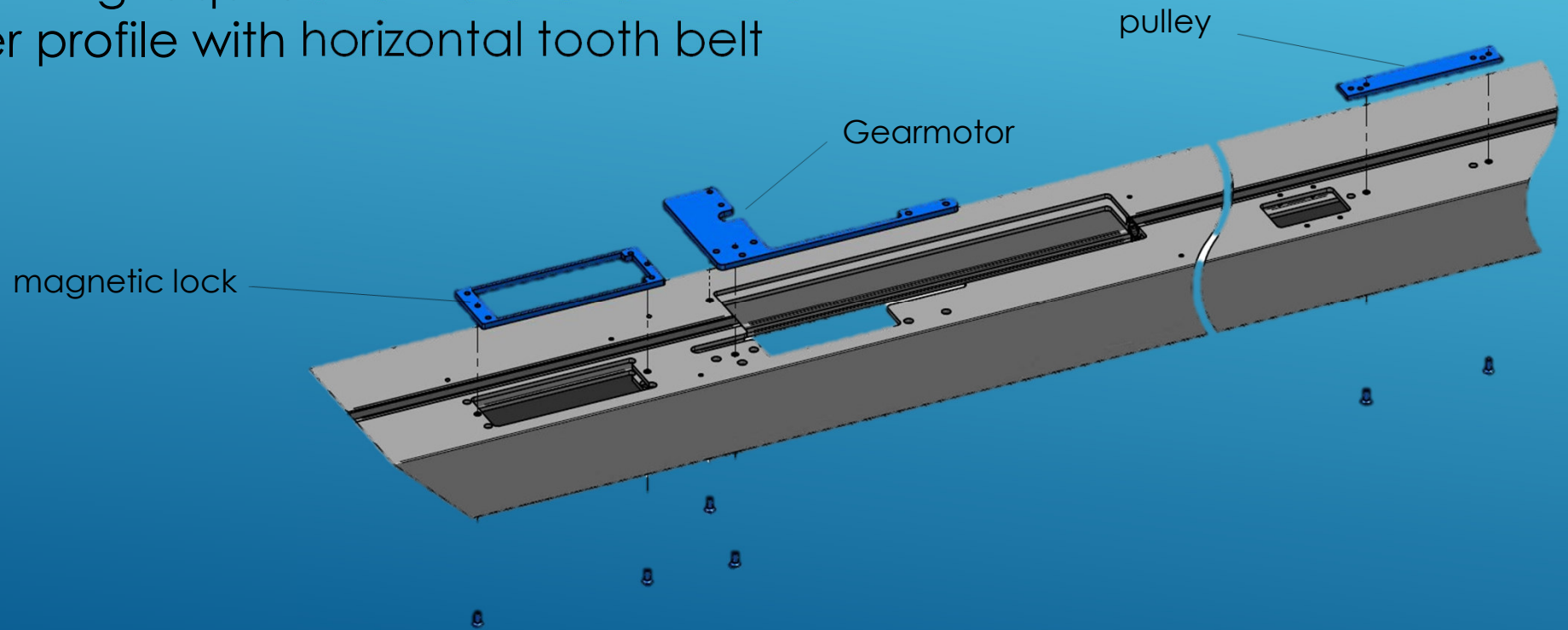
horizontal tooth belt



vertical tooth belt

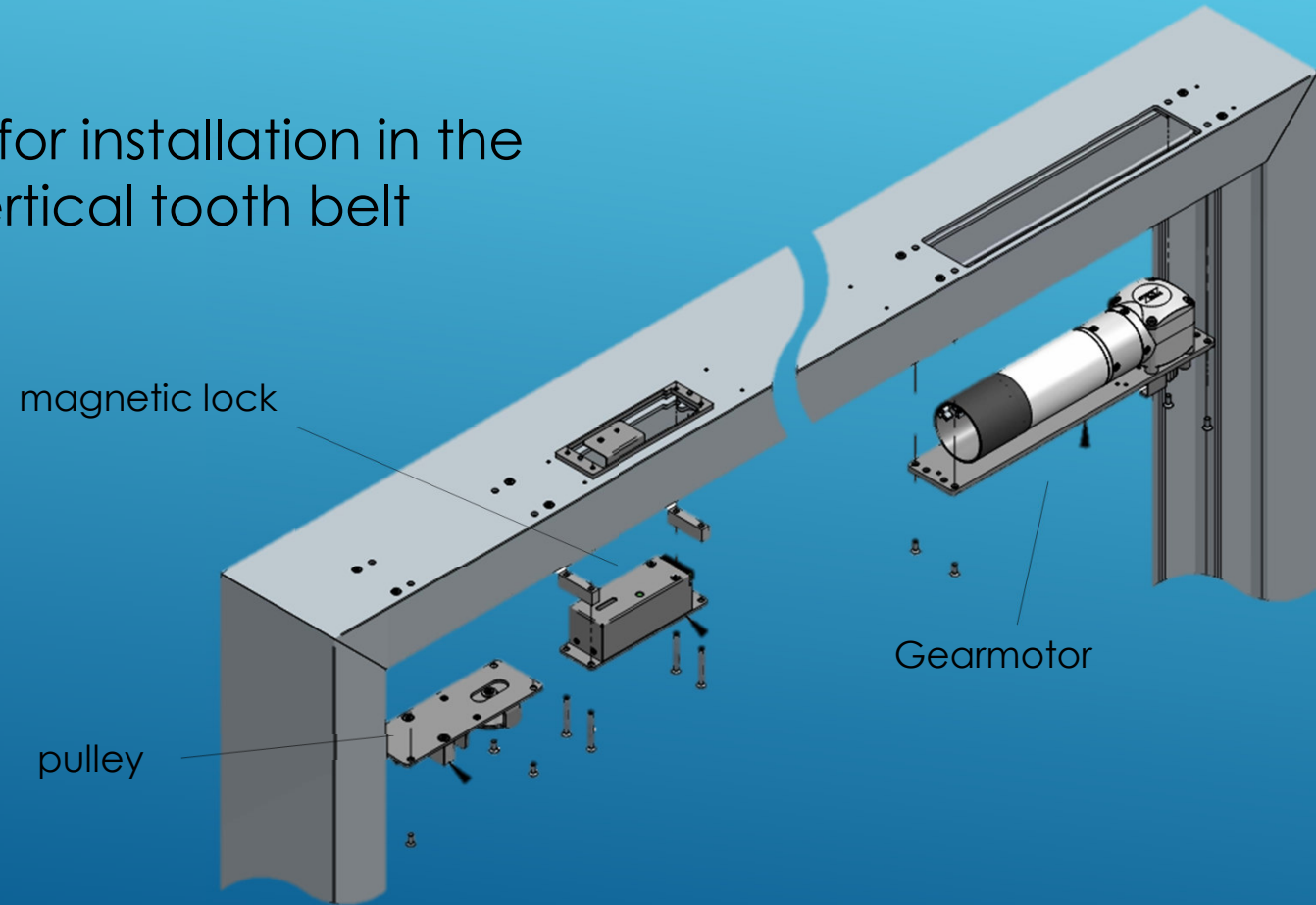
# Millings and Drillings - Classicline

- Machining required for installation in the upper profile with horizontal tooth belt



# Millings and Drillings - Classicline

- Machining required for installation in the upper profile with vertical tooth belt

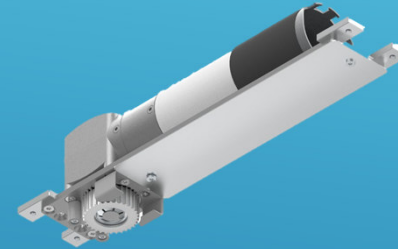
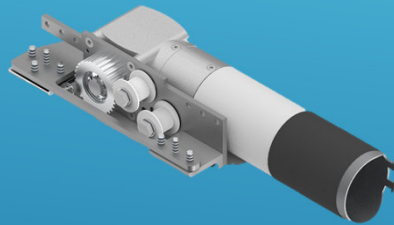






# Classic Line

## horizontal vs vertical tooth belt

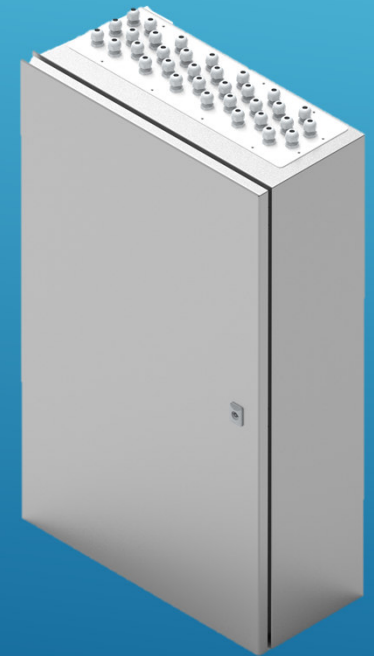
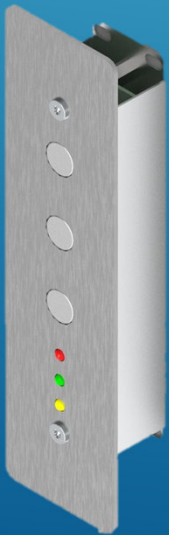
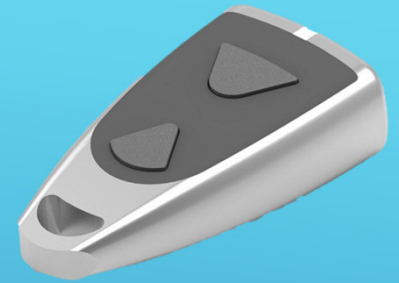


horizontal belt	vertical belt
Lower height	Smaller width
Greater width uses 2 tracks	Belt runs inside the profile
Complex milling	Simpler milling
Belt sags earlier	Easier placement of the drives
	Less space consumption in the track
	Higher installation height



# Accessories

- We offer a broad variety of Accessories like:
  - Radio transmitter
  - Remote maintenance options
  - Home automation system connection
  - Wifi option for the control system
  - Precisely fitting mounting brackets and fittings
  - Matching toothed belt
  - Prefabricated set articles
  - System prepared for plug & play

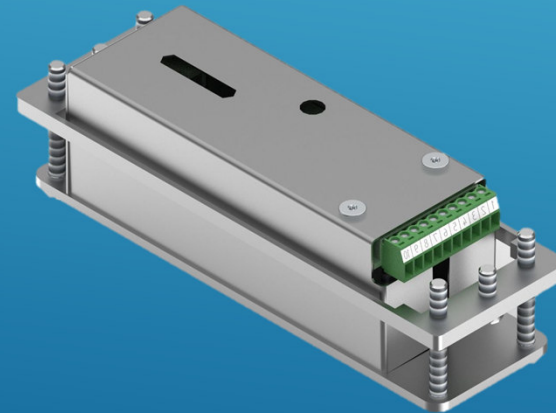
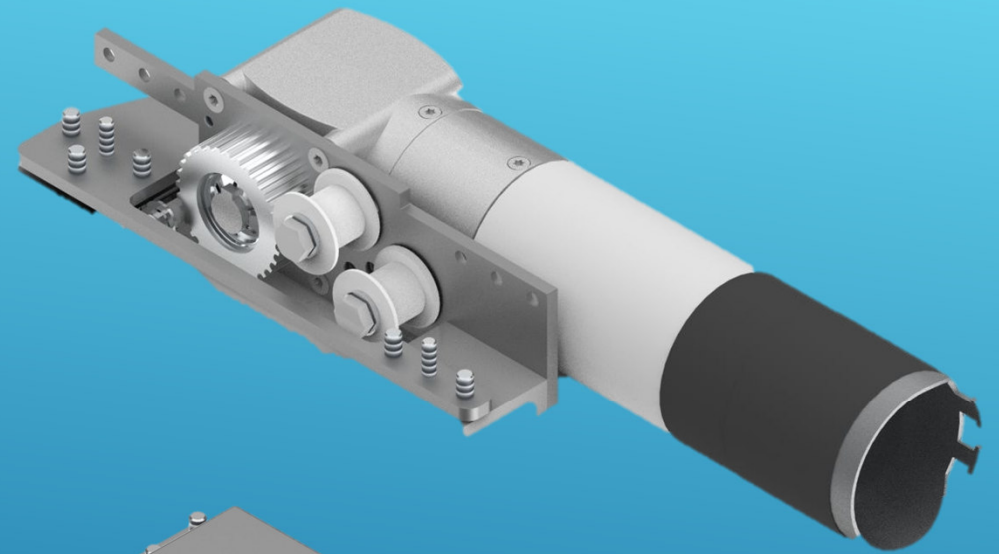




# Contact Liberda

- Engineering
  - [antriebe@liberda.eu](mailto:antriebe@liberda.eu)
  - +4318953244
- Sales
  - [sales@liberda.eu](mailto:sales@liberda.eu)
  - +43660676799





# Liberda Antriebstechnik